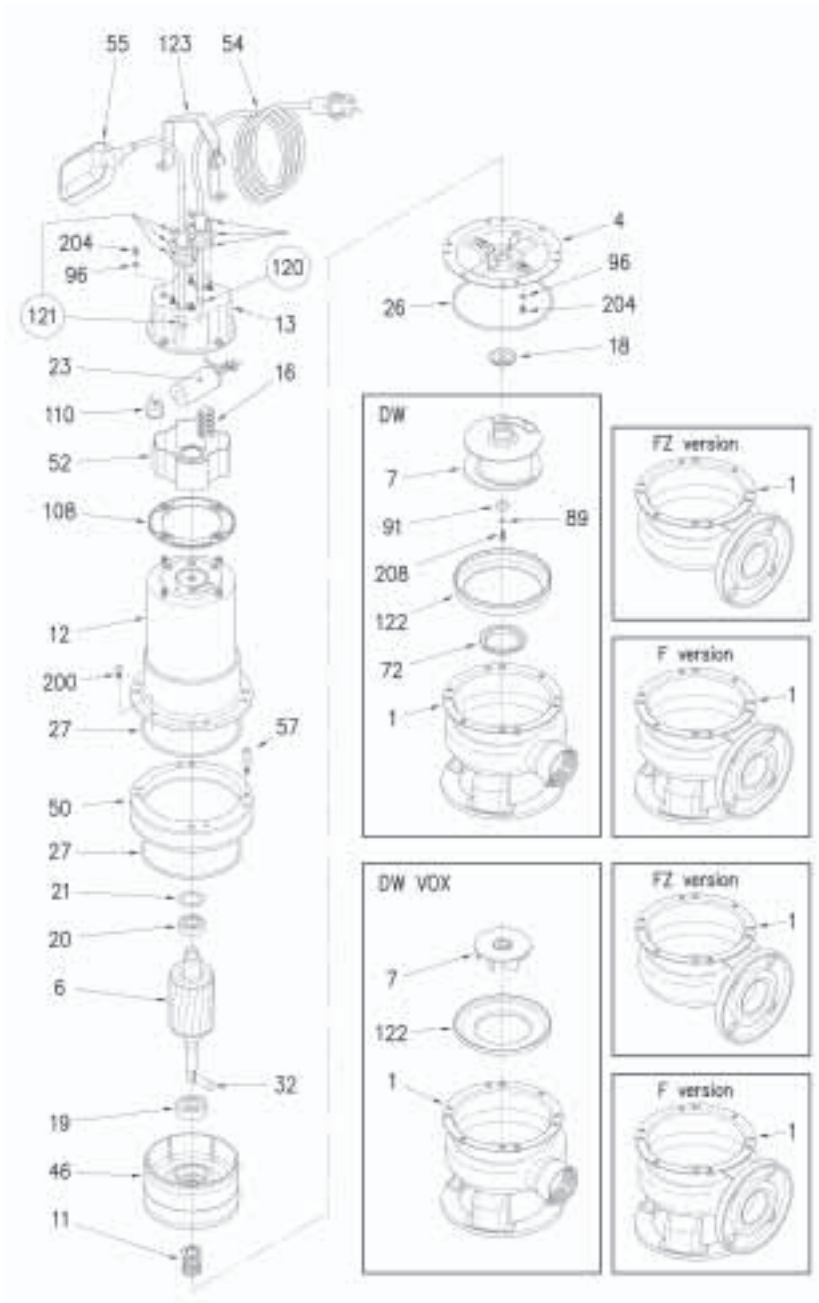


DWG N° 01357



Pos.	Denominazione	Part name	DW M 75	DW M 75 A	DW M 100	DW M 100 A
001	CORPO POMPA DW	Casing DW			251420699	
001	CORPO POMPA DWF	Casing DWF			251420988	
001	CORPO POMPA DWFZ	Casing DWFZ			251420989	
004	DISCO P/TENUTA	Casing cover			251438022	
006	ALBERO ROTORE	Shaft with rotor	275412261			275412262
007	GIRANTE	Impeller	251450901			251450902
011-K	TENUTA	Mechanical seal			364500015	
012	CASSA	Motor frame	277930261			277930262
013	COPERCHIO MOTORE	Motor cover	241425081	241425082	241425081	241425082
016	MORSETTIERA	Terminal board	365993000	365993001	365993000	365993001
018	PROTEZIONE TENUTA	Mech.seal protection			271473031	
019-K	CUSCINETTO	Bearing			364500015	
020-K	CUSCINETTO	Bearing			364500015	
021-K	ANELLO COMPENSATORE	Adjusting ring			364500015	
023	CONDENSATORE	Capacitor	361401200			361404250
026-K	ANELLO OR	"O" ring			364500015	
027-K	ANELLO OR	"O" ring			364500015	
032-K	LINGUETTA	Key			364500015	
046	SUPPORTO CUSCINETTO	Bearing housing			240080578	
052	SCATOLA COND.	Terminal insulating box			372582020	
054	CAVO ALIMENTAZIONE	Power cable	367900007			367900013
055	GALLEGGIANTE	Float switch	365231006	365231006
072-K	ANELLO RASAMENTO	Casing ring			364500015	
089-K	RONDELLA	Washer			364500015	
091-K	RONDELLA	Washer			364500015	
096-K	ANELLO OR	"O" ring			364500015	
108	GUARN.COPERCHIO MOT	Cover gasket			364747022	
120	GR.PRESSACAVO ALIM.	Cable connector kit-power	352665014			352665021
121	GR.PRESSACAVO GALL.	Cable connector kit-float	352665014	352665014
122	ANELLO PROT. GIRANTE	Impeller protection ring			271473027	
123	MANIGLIA PER POMPA	Handle			251460022	
200	VITE	Screw			369644000 (6)	
204	VITE	Screw			369640002 (3)	
208-K	VITE	Screw			364500015	

(n)=Quantità per pompa / Quantity for pump

K=kit

DWG N° 01357

Pos.	Denominazione	Part name	DW M 150	DW M 150 A
001	CORPO POMPA DW	Casing DW		251420699
001	CORPO POMPA DWF	Casing DWF		251420988
001	CORPO POMPA DWFZ	Casing DWFZ		251420989
004	DISCO P/TENUTA	Casing cover		251438022
006	ALBERO ROTORE	Shaft with rotor		275412263
007	GIRANTE	Impeller		251450903
011-K	TENUTA	Mechanical seal		364500015
012	CASSA	Motor frame		277930263
013	COPERCHIO MOTORE	Motor cover	241425081	241425082
018	PROTEZIONE TENUTA	Mech.seal protection		271473031
019-K	CUSCINETTO	Bearing		364500015
020-K	CUSCINETTO	Bearing		364500015
021-K	ANELLO COMPENSATORE	Adjusting ring		364500015
023	CONDENSATORE	Capacitor		361401315
026-K	ANELLO OR	"O" ring		364500015
027-K	ANELLO OR	"O" ring		364500015
032-K	LINGUETTA	Key		364500015
046	SUPPORTO CUSCINETTO	Bearing housing		240080578
052	SCATOLA COND.	Terminal insulating box		372582020
054	CAVO ALIMENTAZIONE	Power cable		367900013
055	GALLEGGIANTE	Float switch	365231006
072-K	ANELLO RASAMENTO	Casing ring		364500015
089-K	RONDELLA	Washer		364500015
091-K	RONDELLA	Washer		364500015
096-K	ANELLO OR	"O" ring		364500015
108	GUARN.COPERCHIO MOT	Cover gasket		364747022
110	MOTOPROTETTORE	Protector		369450020
110	MOTOPROTETTORE	Protector		369450510
120	GR.PRESSACAVO ALIM.	Cable connector kit-power		352665021
121	GR.PRESSACAVO GALL.	Cable connector kit-float	352665014
122	ANELLO PROT. GIRANTE	Impeller protection ring		271473028
123	MANIGLIA PER POMPA	Handle		251460022
131	SUPPORTO MOTOPR.	Support for motoprotector		372581158
133	SUPP. SONDA MOTOPR.	Probe for protector		272581154
134	COPERCHIO SUPP. SOND	Cover		372524028
200	VITE	Screw		369644000 (6)
204	VITE	Screw		369640002 (3)
208-K	VITE	Screw		364500015

(n)=Quantità per pompa / Quantity for pump

K=kit

DWG N° 01357

Pos.	Denominazione	Part name	DW 75	DW 100	DW 150	DW 200	DW 300
001	CORPO POMPA DW	Casing DW			251420699		
001	CORPO POMPA DWF	Casing DWF			251420988		
001	CORPO POMPA DWFZ	Casing DWFZ			251420989		
004	DISCO P/TENUTA	Casing cover			251438022		
006	ALBERO ROTORE	Shaft with rotor	275412271	275412272	275412273	275412274	275412259
007	GIRANTE	Impeller	251450901	251450902	251450903	251450904	251450926
011-K	TENUTA	Mechanical seal			364500015		
012	CASSA	Motor frame	277930260	277930561	277930562	277930563	277930267
013	COPERCHIO MOTORE	Motor cover			241425081		
016	MORSETTIERA	Terminal board			365993002		
018	PROTEZIONE TENUTA	Mech.seal protection			271473031	
019-K	CUSCINETTO	Bearing			364500015		
020-K	CUSCINETTO	Bearing			364500015		
021-K	ANELLO COMPENSATORE	Adjusting ring			364500015		
026-K	ANELLO OR	"O" ring			364500015		
027-K	ANELLO OR	"O" ring			364500015		
032-K	LINGUETTA	Key			364500015		
046	SUPPORTO CUSCINETTO	Bearing housing		240080578			240080575
050	DISTANZIALE	Spacer	240016022
052	SCATOLA COND.	Terminal insulating box			372582020		
054	CAVO ALIMENTAZIONE	Power cable			367931056		
057	DISTANZIALE	Spacer	275416026
072-K	ANELLO RASAMENTO	Casing ring			364500015		
089-K	RONDELLA	Washer			364500015		
091-K	RONDELLA	Washer			364500015		
096-K	ANELLO OR	"O" ring			364500015		
108	GUARN.COPERCHIO MOT	Cover gasket			364747022		
120	GR.PRESSACAVO ALIM.	Cable connector kit-power	352665020		352665021	352665020	
122	ANELLO PROT. GIRANTE	Impeller protection ring	271473027		271473028		271473034
123	MANIGLIA PER POMPA	Handle			251460022		
200	VITE	Screw			369644000 (6)		369641045 (6)
204	VITE	Screw			369640002 (3)		
208-K	VITE	Screw			364500015		

(n)=Quantità per pompa / Quantity for pump

K=kit

DWG N° 01357

Pos.	Denominazione	Part name	DW VOX M 75	DW VOX M 75 A	DW VOX M 100	DW VOX M 100 A
001	CORPO POMPA DW	Casing DW		251420699		
001	CORPO POMPA DWF	Casing DWF		251420988		
001	CORPO POMPA DWFZ	Casing DWFZ		251420989		
004	DISCO P/TENUTA	Casing cover		251438022		
006	ALBERO ROTORE	Shaft with rotor	275412261		275412262	
007	GIRANTE	Impeller	251450912		251450913	
011-K	TENUTA	Mechanical seal		364500015		
012	CASSA	Motor frame	277930261		277930262	
013	COPERCHIO MOTORE	Motor cover	241425081	241425082	241425081	241425082
016	MORSETTIERA	Terminal board	365993000	365993001	365993000	365993001
018	PROTEZIONE TENUTA	Mech.seal protection		271473031		
019-K	CUSCINETTO	Bearing		364500015		
020-K	CUSCINETTO	Bearing		364500015		
021-K	ANELLO COMPENSATORE	Adjusting ring		364500015		
023	CONDENSATORE	Capacitor	361401200		361404250	
026-K	ANELLO OR	"O" ring		364500015		
027-K	ANELLO OR	"O" ring		364500015		
032-K	LINGUETTA	Key		364500015		
046	SUPPORTO CUSCINETTO	Bearing housing		240080578		
052	SCATOLA COND.	Terminal insulating box		372582020		
054	CAVO ALIMENTAZIONE	Power cable	367900007		367900013	
055	GALLEGGIANTE	Float switch	365231006	365231006
089-K	RONDELLA	Washer		364500015		
091-K	RONDELLA	Washer		364500015		
096-K	ANELLO OR	"O" ring		364500015		
108	GUARN.COPERCHIO MOT	Cover gasket		364747022		
120	GR.PRESSACAVO ALIM.	Cable connector kit-power	352665014		352665021	
121	GR.PRESSACAVO GALL.	Cable connector kit-float	352665014	352665014
122	ANELLO PROT. GIRANTE	Impeller protection ring		271473026		
123	MANIGLIA PER POMPA	Handle		251460022		
200	VITE	Screw		369644000 (6)		
204	VITE	Screw		369640002 (3)		
208-K	VITE	Screw		364500015		

(n)=Quantità per pompa / Quantity for pump

K=kit

DWG N° 01357

Pos.	Denominazione	Part name	DW VOX M 150	DW VOX M 150 A
001	CORPO POMPA DW	Casing DW		251420699
001	CORPO POMPA DWF	Casing DWF		251420988
001	CORPO POMPA DWFZ	Casing DWFZ		251420989
004	DISCO P/TENUTA	Casing cover		251438022
006	ALBERO ROTORE	Shaft with rotor		275412263
007	GIRANTE	Impeller		251450914
011-K	TENUTA	Mechanical seal		364500015
012	CASSA	Motor frame		277930263
013	COPERCHIO MOTORE	Motor cover	241425081	241425082
018	PROTEZIONE TENUTA	Mech.seal protection		271473031
019-K	CUSCINETTO	Bearing		364500015
020-K	CUSCINETTO	Bearing		364500015
021-K	ANELLO COMPENSATORE	Adjusting ring		364500015
023	CONDENSATORE	Capacitor		361401315
026-K	ANELLO OR	"O" ring		364500015
027-K	ANELLO OR	"O" ring		364500015
032-K	LINGUETTA	Key		364500015
046	SUPPORTO CUSCINETTO	Bearing housing		240080578
052	SCATOLA COND.	Terminal insulating box		372582020
054	CAVO ALIMENTAZIONE	Power cable		367900013
055	GALLEGGIANTE	Float switch	365231006
089-K	RONDELLA	Washer		364500015
091-K	RONDELLA	Washer		364500015
096-K	ANELLO OR	"O" ring		364500015
108	GUARN.COPERCHIO MOT	Cover gasket		364747022
110	MOTOPROTETTORE	Protector		369450020
110	MOTOPROTETTORE	Protector		369450510
120	GR.PRESSACAVO ALIM.	Cable connector kit-power		352665021
121	GR.PRESSACAVO GALL.	Cable connector kit-float	352665014
122	ANELLO PROT. GIRANTE	Impeller protection ring	271473028
123	MANIGLIA PER POMPA	Handle		251460022
131	SUPPORTO MOTOPR.	Support for motoprotector		372581158
133	SUPP. SONDA MOTOPR.	Probe for protector		272581154
134	COPERCHIO SUPP. SOND	Cover		372524028
200	VITE	Screw		369644000 (6)
204	VITE	Screw		369640002 (3)
208-K	VITE	Screw		364500015

(n)=Quantità per pompa / Quantity for pump

K=kit

DWG N° 01357

Pos.	Denominazione	Part name	DW VOX 75	DW VOX 100	DW VOX 150	DW VOX 200	DW VOX 300
001	CORPO POMPA DW	Casing DW			251420699		
001	CORPO POMPA DWF	Casing DWF			251420988		
001	CORPO POMPA DWFZ	Casing DWFZ			251420989		
004	DISCO P/TENUTA	Casing cover			251438022		
006	ALBERO ROTORE	Shaft with rotor	275412271	275412272	275412273	275412274	275412259
007	GIRANTE	Impeller	251450912	251450913	251450914	251450915	251450930
011-K	TENUTA	Mechanical seal			364500015		
012	CASSA	Motor frame	277930260	277930561	277930562	277930563	277930267
013	COPERCHIO MOTORE	Motor cover			241425081		
016	MORSETTIERA	Terminal board			365993002		
018	PROTEZIONE TENUTA	Mech.seal protection		271473031		
019-K	CUSCINETTO	Bearing			364500015		
020-K	CUSCINETTO	Bearing			364500015		
021-K	ANELLO COMPENSATORE	Adjusting ring			364500015		
026-K	ANELLO OR	"O" ring			364500015		
027-K	ANELLO OR	"O" ring			364500015		
032-K	LINGUETTA	Key			364500015		
046	SUPPORTO CUSCINETTO	Bearing housing		240080578			240080575
050	DISTANZIALE	Spacer	240016022
052	SCATOLA COND.	Terminal insulating box			372582020		
054	CAVO ALIMENTAZIONE	Power cable			367931056		
057	DISTANZIALE	Spacer	275416026
089-K	RONDELLA	Washer			364500015		
091-K	RONDELLA	Washer			364500015		
096-K	ANELLO OR	"O" ring			364500015		
108	GUARN.COPERCHIO MOT	Cover gasket			364747022		
120	GR.PRESSACAVO ALIM.	Cable connector kit-power	352665020		352665021	352665020	
122	ANELLO PROT. GIRANTE	Impeller protection ring	271473026	
123	MANIGLIA PER POMPA	Handle			251460022		
200	VITE	Screw		369644000 (6)			369641045 (6)
204	VITE	Screw			369640002 (3)		
208-K	VITE	Screw			364500015		

(n)=Quantità per pompa / Quantity for pump

K=kit

DWG N° 01357